

Technical data door frame

Dimensions / type:

- LUX ELEMENTS®-CONCEPT-DOOR-TZ F with flat frame profile, dimensions see drawing
- LUX ELEMENTS®-CONCEPT-DOOR-TZ B with wide block frame profile, dimensions see drawing



Appearance / design:

- Rabbet frames with rubber seal in rabbet, 3-piece (1 x lintel profile, 2 x reveal liner)
- 2 hinges (optically matches the door frame profile), in case of glass surface $\leq 2,00 \text{ m}^2$ for LUX ELEMENTS®-CONCEPT-DOOR-TZ F $\leq 2,75 \text{ m}^2$ for LUX ELEMENTS®-CONCEPT-DOOR-TZ B
- 3 hinges (optically matches the door frame profile) for larger glass surfaces
- Closure via roller catch, material plastic

Material:

- Aluminium door frame

Technical data glass door leaf

Dimensions:

- for LUX ELEMENTS®-CONCEPT-DOOR-TZ F: Glass width (GA) = External dimension door frame width (A) – (2 x 13 mm)
Glass height (GB) = External dimension door frame height (B) – (7 + 13 mm)
- for LUX ELEMENTS®-CONCEPT-DOOR-TZ B: Glass width (GA) = External dimension door frame width (A) – (2 x 34 mm)
Glass height (GB) = External dimension door frame height (B) – (7 + 34 mm)
- Maximum glass width: 1.100 mm
- Maximum glass area: 2,75 m² for LUX ELEMENTS®-CONCEPT-DOOR-TZ F
3,25 m² for LUX ELEMENTS®-CONCEPT-DOOR-TZ B

Material:

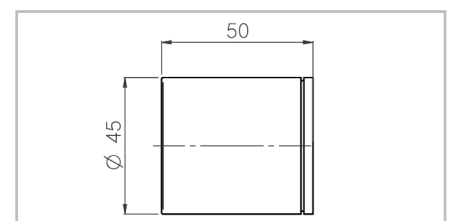
- 8 mm ESG (single sheet safety glass)

Technical data door knob / handle bar

Door knob solid

LUX ELEMENTS®-CONCEPT-DOOR-TK

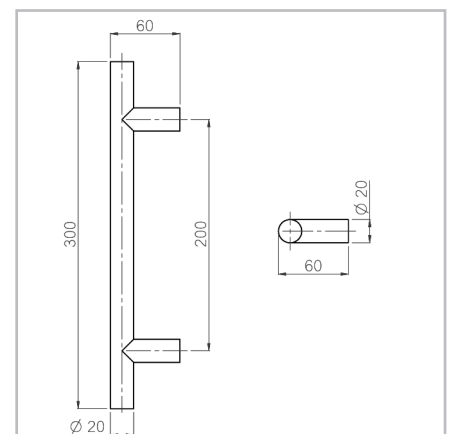
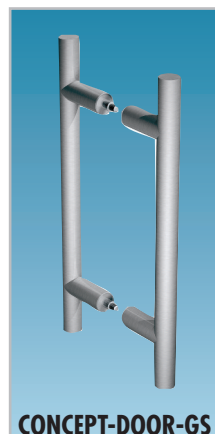
- Aluminium, polished similar to stainless steel
- Optically matches the door frame profile
- Diameter: 45 mm



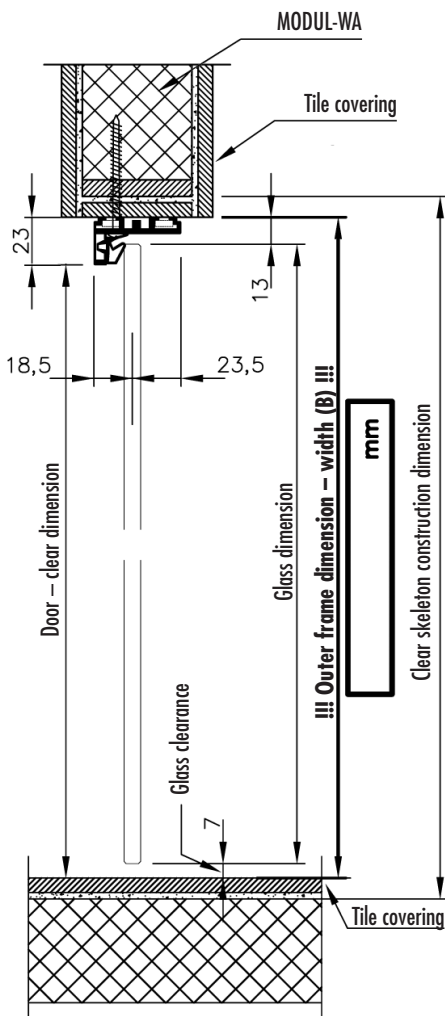
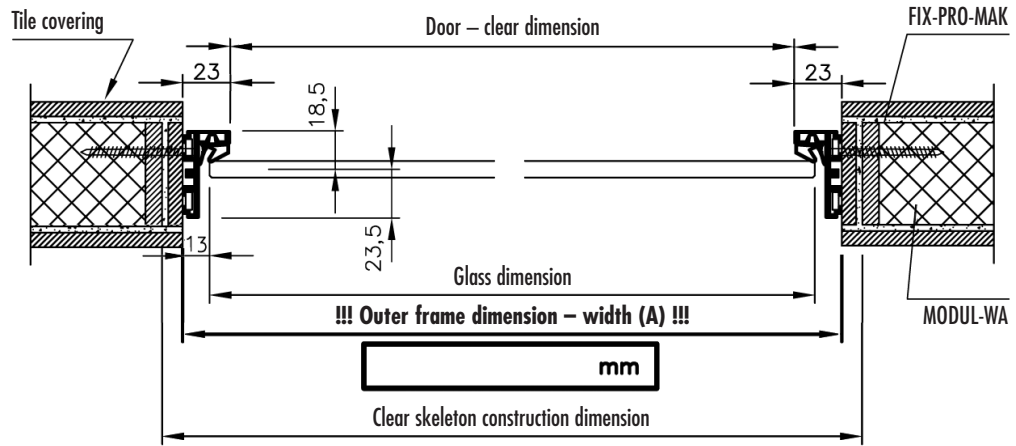
Handle bar solid

LUX ELEMENTS®-CONCEPT-DOOR-GS

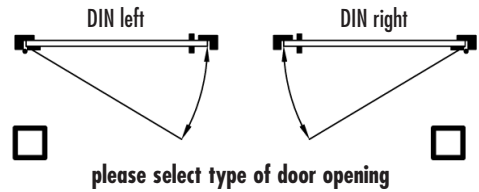
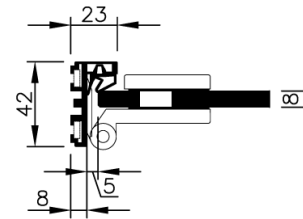
- Stainless steel
- Optically matches the door frame profile
- 300 mm long
- Diameter: 20 mm



CONCEPT-DOOR-TZ F – Dimensional details



Profile cross section and hinge



Caution! Statement of dimensions for ordering:

The outer door frame dimension A x B (width x height) in mm must be stated and also the rabbet situation (DIN left or DIN right).

We recommend assembly on a tiled surface. The material thickness values for tiles and adhesive must be deducted from the narrowest skeleton construction opening. We also recommend that you allow for an installation tolerance of at least 2 mm.

Example: Skeleton construction dimension 800 x 2000 mm, tiles 6 mm, adhesive 3 mm, installation tolerance 2 mm:

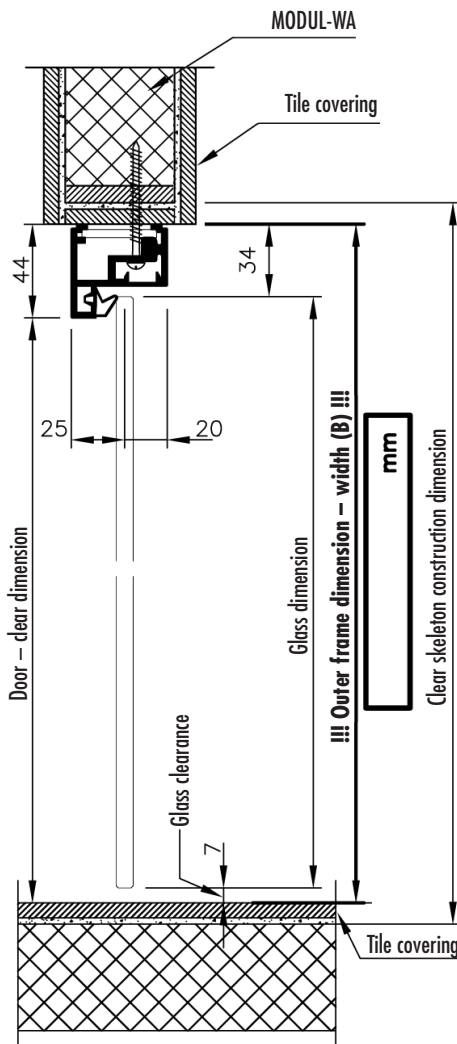
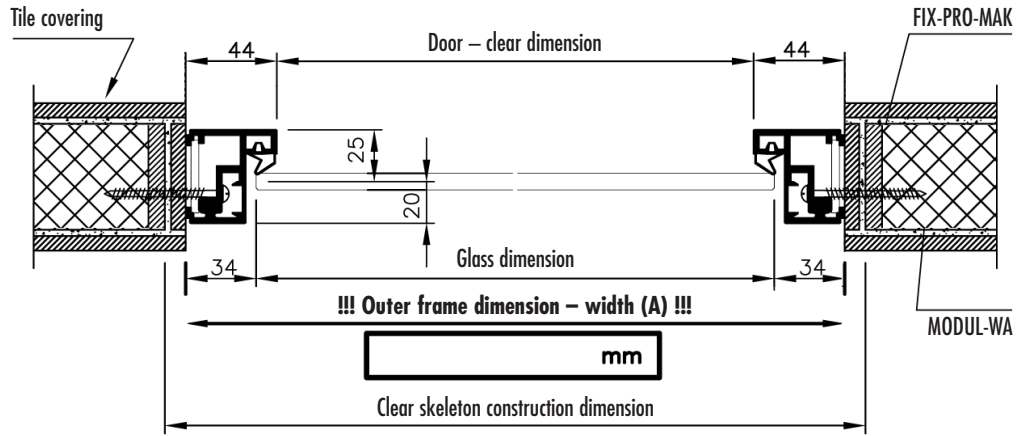
Width A = $800 - (2 \times 6) - (2 \times 3) - (1 \times 2) = 780$ mm

Height B = $2000 - (2 \times 6) - (2 \times 3) - (1 \times 2) = 1980$ mm

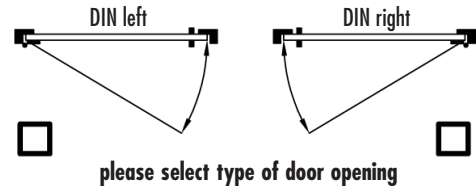
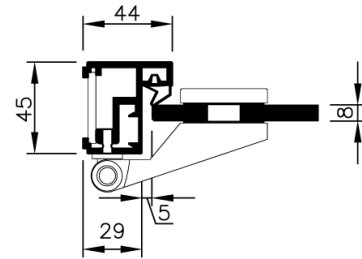
Order dimension A x B = 780 x 1980 mm, DIN left.

LUX ELEMENTS does not add tolerance values!

CONCEPT-DOOR-TZ B – Dimensional details



Profile cross section and hinge



Caution! Statement of dimensions for ordering:

The outer door frame dimension A x B (width x height) in mm must be stated and also the rabbet situation (DIN left or DIN right).

We recommend assembly on a tiled surface. The material thickness values for tiles and adhesive must be deducted from the narrowest skeleton construction opening. We also recommend that you allow for an installation tolerance of at least 2 mm.

Example: Skeleton construction dimension 800 x 2000 mm, tiles 6 mm, adhesive 3 mm, installation tolerance 2 mm:

Width A = $800 - (2 \times 6) - (2 \times 3) - (1 \times 2) = 780$ mm

Height B = $2000 - (2 \times 6) - (2 \times 3) - (1 \times 2) = 1980$ mm

Order dimension A x B = 780 x 1980 mm, DIN left.

LUX ELEMENTS does not add tolerance values!

Standard surfaces of frames



Surface finish similar to stainless steel, anodised (standard)



Matt silver EV 1



Paint, white RAL9016



Metallic grey DB 703

- Special paints: on request
- The door frames and fittings are made to match, but are available from different production facilities and with a surface finish similar to stainless steel, matt silver, or painted white RAL 9016 (special paints on request)

The relevant recommendations and guidelines, as well as DIN regulations, European standards and safety datasheets are to be observed. The recognised architectural and technical rules apply. We accept liability for the perfect quality of our products. Our processing recommendations are based upon trials and practical experience; they can, however, be no more than general instructions without assurance as to their quality, since we have no influence on the site conditions, on the execution of the work and the processing. With the issuing of this product datasheet previous versions cease to be valid.

LUX ELEMENTS GmbH & Co. KG

An der Schusterinsel 7
 D - 51379 Leverkusen-Opladen
 Tel. +49 (0) 21 71/72 12-0
 Fax +49 (0) 21 71/72 12-40
 E-Mail info@luxelements.de

LUX ELEMENTS S.A.S

ZI-31, rue d'Ensisheim
 F - 68190 Ungersheim
 Tél. +33 (0) 3 89 83 69 79
 Fax +33 (0) 3 89 48 83 27
 E-Mail info@luxelements.fr