

Heating fleece

LUX ELEMENTS®-RELAX-BA HE-E / LUX ELEMENTS®-RELAX-BA HE-E L /
LUX ELEMENTS®-SPA CAB-HE E-BA

Reviewed on: 01/2023
Replace DS from: –

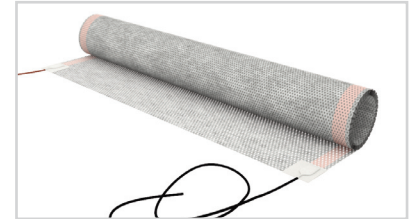
Product Description

The heating fleece is a foil heating system with optimised radiant heating that is designed for walls, ceilings and floors, is very thin and guarantees extremely fast direct surface heating of individual areas.

Technical data

Heating fleece

Rated power	162 W/m ² (80 W/m)
Rated voltage	36 V
Length of connecting cable	1000 mm
Dimensions fleece W x H x L	490 x 0,4 x Installation length in mm
Material	PET film with carbon fibres and fillers



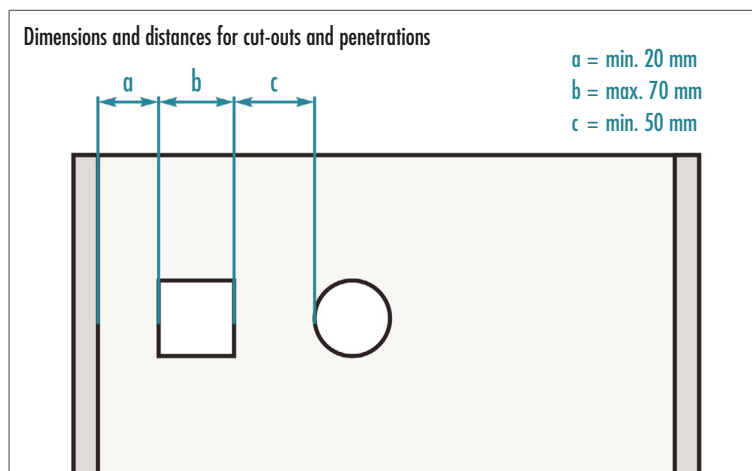
Transformer

Rated power	300 W
Rated voltage primary	230 V AC 50/60 Hz
Rated voltage secondary	36 V
Length of supply cable	2000 mm with European flat plug
Dimensions L x W x H	134 x 91 x 100 mm
Internal safety temperature switch	110 °C automatically resetting
Internal transformer fuse	exchangeable fine-wire fuse T 2,0 A
Protection class	IP 40
Weight	3,4 kg
Ambient temperature	max. 40 °C
Connections	Quick push terminals 1,0 mm ² to 4,0 mm ²



Processing instructions

The heating fleece is generally suitable for the subsequent making of holes with a maximum size of 70 mm. The minimum distance of 50 mm between the holes and 20 mm to the copper conductors must be observed. The copper strips on the heating fleece must not be damaged or cut. In the case of penetrating installations, make sure that non-conductive materials such as plastic boxes, wall plugs, etc. are used. Please note that screws may only be introduced into the heating surface if they are installed with plastic wall plugs for electrical insulation. In addition, two screws must not be connected with an electrically conductive material (e.g. metal shelves, shower head bars made of metal). Do not use nails.

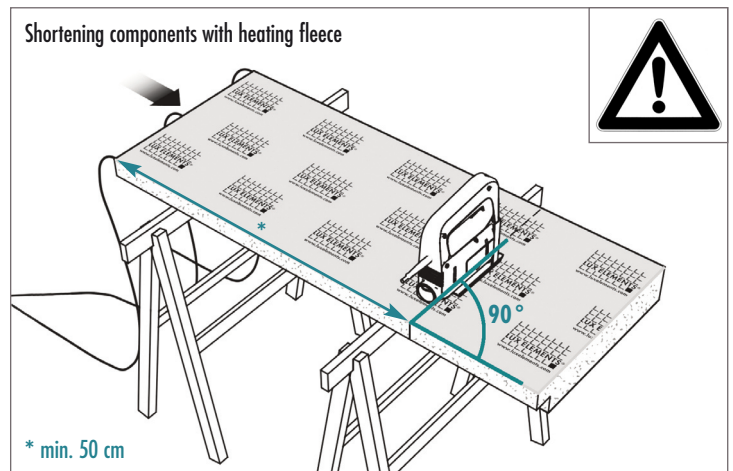


Heating fleece

LUX ELEMENTS®-RELAX-BA HE-E / LUX ELEMENTS®-RELAX-BA HE-E L /
LUX ELEMENTS®-SPA CAB-HE E-BA

Reviewed on: 01/2023
Replace DS from: -

Components with a heating fleece can be shortened on the non-contact side. The cut must be made at a right angle to the copper strip.



Resistance values as a function of length:

Length in m	Resistance in Ohm*	Power in W
0,1	162,80	8
0,2	81,40	16
0,3	54,27	24
0,4	40,70	32
0,5	32,56	40
0,6	27,13	48
0,7	23,26	56
0,8	20,35	64
0,9	18,09	72

Length in m	Resistance in Ohm*	Power in W
1,0	16,28	80
1,1	14,80	88
1,2	13,57	96
1,3	12,52	103
1,4	11,63	111
1,5	10,85	119
1,6	10,18	127
1,7	9,58	135
1,8	9,04	143

Length in m	Resistance in Ohm*	Power in W
1,9	8,57	151
2,0	8,14	159
2,1	7,75	167
2,2	7,40	175
2,3	7,08	183
2,4	6,78	191
2,5	6,51	199

* Deviation of approx. 15 % of the measured values, see measurement record

General Notes

The connection diagram for the connection of the heating fleece as well as the temperature sensor integrated in the component to the temperature controller (LUX ELEMENTS®-ADD-EH ZB) can be found in the separate assembly instructions.

Several heating mats can be connected to one power supply unit; please observe the maximum rated power of the power supply unit. The power supply unit and the controller must be mounted outside the wet area at a minimum distance of 50 mm from the heating fleece; observe the corresponding protection classes.

The connection may only be made by a qualified electrician!

The heated surface must be protected against damage by a top covering; the load due to this may not exceed 0,1 N/mm².

The relevant recommendations and guidelines, as well as DIN regulations, European standards and safety datasheets are to be observed. The recognised architectural and technical rules apply. We accept liability for the perfect quality of our products. Our processing recommendations are based upon trials and practical experience; they can, however, be no more than general instructions without assurance as to their quality, since we have no influence on the site conditions, on the execution of the work and the processing. With the issuing of this product datasheet previous versions cease to be valid.

LUX ELEMENTS GmbH & Co. KG

An der Schusterinsel 7
D - 51379 Leverkusen-Opladen
Tel. +49 (0) 21 71/72 12-0
Fax +49 (0) 21 71/72 12-40
E-Mail info@luxelements.de

LUX ELEMENTS S.A.S

31, rue d'Ensisheim
F - 68190 Ungersheim
Tél. +33 (0) 3 89 83 69 79
Fax +33 (0) 3 89 48 83 27
E-Mail info@luxelements.fr