

LUX ELEMENTS®-TUB-BAZ HTK

Product Description

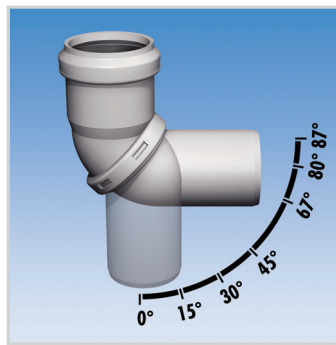
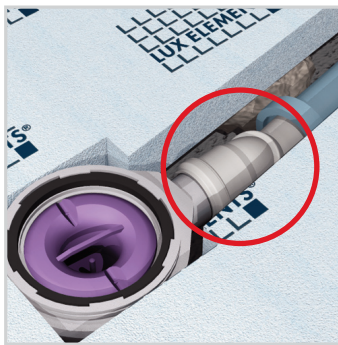
LUX ELEMENTS®-TUB-BAZ HTK replaces six traditional HT bends from 0 to 87 degrees and therefore considerably reduces stocking requirements. The LUX ELEMENTS®-TUB-BAZ HTK bend is fast to install. The fixed connection guarantees a high level of security in use for the swivel joint, for example when installing or cleaning.

Product properties

- flame resistant, B1 (DIN 4102)
- with sealing ring according to DIN EN 19560

Technical data

- | | |
|----------------------------|-------------------------------|
| - Material: | Polypropylene (PP) |
| - Nominal size: | DN 50 |
| - Angle: | 0–87° (continuously variable) |
| - Length at 87° (minimum): | 116 mm |
| - Length at 0° (maximum): | 152 mm |



The relevant recommendations and guidelines, as well as DIN regulations, European standards and safety datasheets are to be observed. The recognised architectural and technical rules apply. We accept liability for the perfect quality of our products. Our processing recommendations are based upon trials and practical experience; they can, however, be no more than general instructions without assurance as to their quality, since we have no influence on the site conditions, on the execution of the work and the processing. With the issuing of this product datasheet previous versions cease to be valid.

LUX ELEMENTS GmbH & Co. KG

An der Schusterinsel 7
 D - 51379 Leverkusen-Opladen
 Tel. +49 (0) 21 71/72 12-0
 Fax +49 (0) 21 71/72 12-40
 E-Mail info@luxelements.de

LUX ELEMENTS S.A.S

31, rue d'Ensisheim
 F - 68190 Ungersheim
 Tél. +33 (0) 3 89 83 69 79
 Fax +33 (0) 3 89 48 83 27
 E-Mail info@luxelements.fr