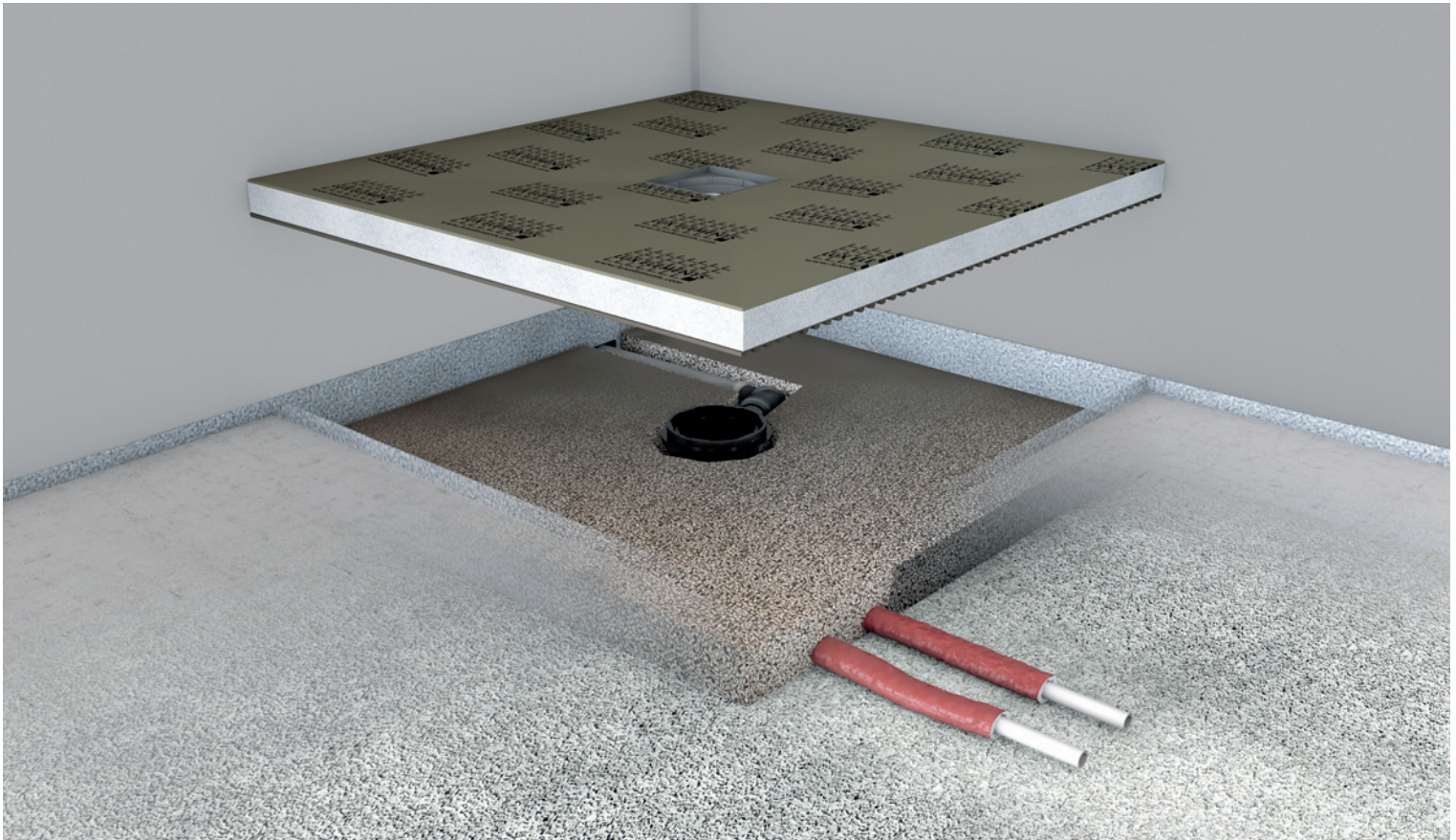


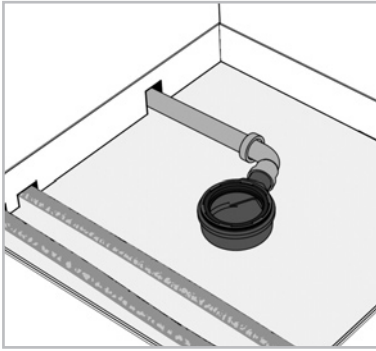
## Height compensation of shower bases Bonded levelling compound – **LUX ELEMENTS®-TUB-U S 90**



- Quick and easy levelling of uneven surfaces
- EPS granulate levelling compound consisting of 100% recycled, HBCD-free material with a mineral binder
- Perfect substructure for TUB shower base elements



## ■ Bonded levelling compound for height compensation – LUX ELEMENTS®-TUB-U S 90

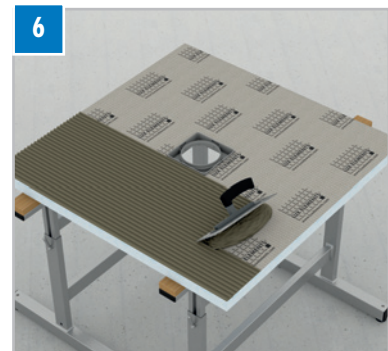
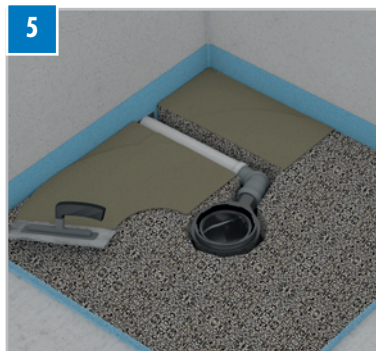


When installing a shower base, height compensation by means of TUB-U S 90 is useful above all when the TUB-U... substrate elements normally used in such cases cannot be installed – e.g. when additional pipes run under the planned shower location or as height levelling for very uneven surfaces.

The TUB-U S 90 bonded levelling compound is manufactured from a thinly mixed slurry consisting of COL-AK fixing adhesive and 100 % recycled EPS granulate.



**Set consisting of:**  
15 kg fixing adhesive COL-AK and  
90 l 100% recycled EPS granulate



Visit [www.luxelements.com](http://www.luxelements.com) for further information. Assembly instructions, data sheets and test certificates under 'Downloads'.



### ■ PRODUCT SPECIFICATIONS

ARTICLE-NUMBER	ARTICLE-NAME	ARTICLE-DESCRIPTION	UNIT
LTUBE12000	TUB-U S 90	Bonded levelling compound for height compensation of shower bases consisting of: 15 kg fixing adhesive COL-AK and 90 l 100% recycled EPS granulate	set

### ■ INDIVIDUAL PACKAGING

ARTICLE-NUMBER	ARTICLE-NAME	CONTAINER	PACKAGING	DIMENSIONS LENGTH x WIDTH x HEIGHT	UNIT	WEIGHT/ UNIT	WEIGHT/ CARTON
LTUBE12000	TUB-U S 90	1 set	carton	400 x 400 x 730 mm	piece	17 kg	18,5 kg

OTHER ARTICLES ON REQUEST / COLLECTIVE PACKAGING ON REQUEST