

PRESS RELEASE

Lux Elements expands programme

Leverkusen, 01.01.2019

Page [1 / 7]

New channel design from wall to wall for tileable hard foam shower bases

From January 2019 Lux Elements is expanding the product group of flush-with-the-floor shower bases with channel drain by the Tub-Line...V products. This is a design solution with an extended cover rail and extended tiling aid in stainless steel for a continuous channel look from wall to wall, for example in a niche.

The new design is available with a cover rail in 1000 mm (drain area 650 mm) and 1200 mm (drain area 850 mm). The extension can be infinitely shortened to 740 mm or 940 mm, respectively where the spatial situation demands it. The accessories required for adapting the stainless-steel components are delivered with the product. Also included in the scope of delivery are height adapters for adaptation to the covering as well as an odour trap.

The optically extended channel drains – suitable for a single-sided slope – are available in three versions:

Tub-Line Bol V R1 installed in a shower base with prefabricated slope that can be cut to size on 3 sides, or the versions Tub-Line V RT and Tub-Line Combi V RT installed in hard foam. The slope is formed here with slope wedges or screed. All products have a second drainage level and conform to DIN 18534.

Markus Gess, Head of Technology and Product Management at Lux

PRESS RELEASE



Elements, is confident of the product: "The design solution in stainless steel provides a wall-to-wall look. Almost any niche up to 1200 mm width can thus be equipped. As the cover rail and tiling aid can be cut to length, the customer can react quickly and flexibly to changed situations on the building site."

Leverkusen, 01.01.2019
Page [2 / 7]

Further information can be found at www.luxelements.com

Information:

Lux Elements GmbH & Co. KG

Barbara Steinhöfer

E-mail: b.steinhoefer@luxelements.de

Phone +49 (0) 21 71/72 12 15

PRESS RELEASE

Leverkusen, 01.01.2019
Page [3 / 7]



The new channel design with extended cover rail enables an optically continuous channel drain from wall to wall.

TELECHARGEMENT:

- > [TUB-LINE_V_Ambiente1_3C \[946 KB\]](#)
- > [TUB-LINE_V_Ambiente1_4C \[5,9 MB\]](#)

PRESS RELEASE



Leverkusen, 01.01.2019
Page [4 / 7]

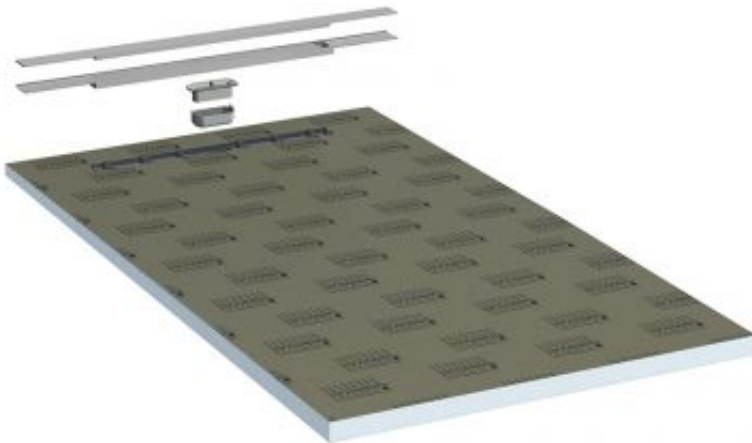
The new channel design with extended cover rail enables an optically continuous channel drain from wall to wall.

TELECHARGEMENT:

- > [TUB-LINE_V_RT_Ambiente_3C \[758 KB\]](#)
- > [TUB-LINE_V_RT_Ambiente_4C \[7,1 MB\]](#)

PRESS RELEASE

Leverkusen, 01.01.2019
Page [5 / 7]



Installed in TUB-LINE BOL V R1 shower base

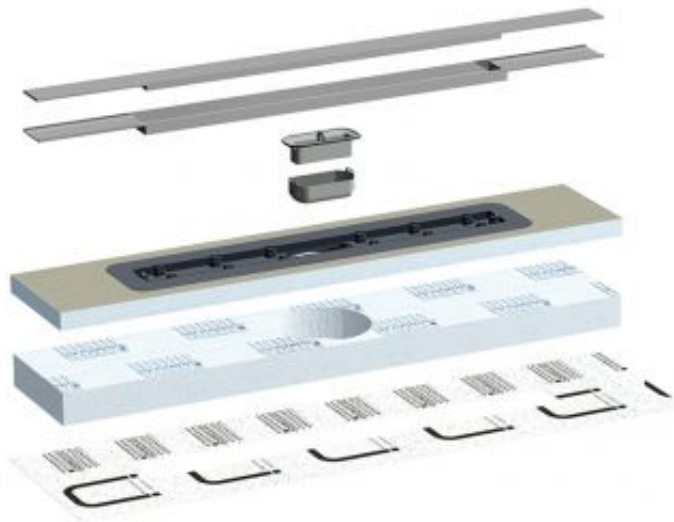
TELECHARGEMENT:

-> TUB-LINE_BOL_V_R1_1800-1000_3C [196 KB]

-> TUB-LINE_BOL_V_R1_1800-1000_4C [3,4 MB]

PRESS RELEASE

Leverkusen, 01.01.2019
Page [6 / 7]



As a channel drain in hard foam e.g. TUB-LINE V RT 1000-200 (650)

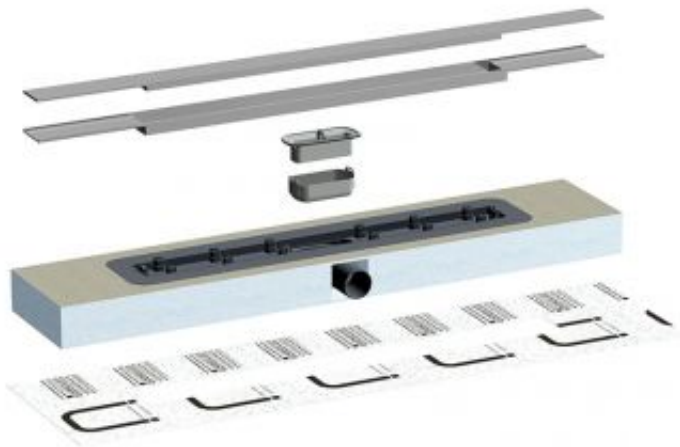
TELECHARGEMENT:

-> [TUB-LINE_V_RT_1000-200_650_3C \[246 KB\]](#)

-> [TUB-LINE_V_RT_1000-200_650_4C \[3,9 MB\]](#)

PRESS RELEASE

Leverkusen, 01.01.2019
Page [7 / 7]



As a channel drain in hard foam e.g. TUB-LINE COMBI V RT 1000 (650)

TELECHARGEMENT:

-> [TUB-LINE_COMBI_V_RT_1000_650_3C](#) [197 KB]

-> [TUB-LINE_COMBI_V_RT_1000_650_4C](#) [2,4 MB]